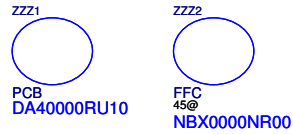
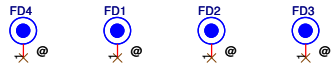
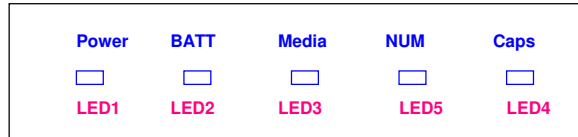


COMPAL CONFIDENTIAL

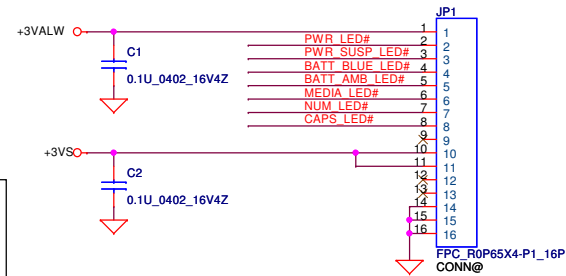
MODEL NAME: *NAVE0*
 PCB NAME: *LS-6099P UP LED/B*
 COMPAL P/N: *DA40000RU10*
 REVISION: *1.0*
 DATE: *2010/02/10*



11/27 Change FFC P/N

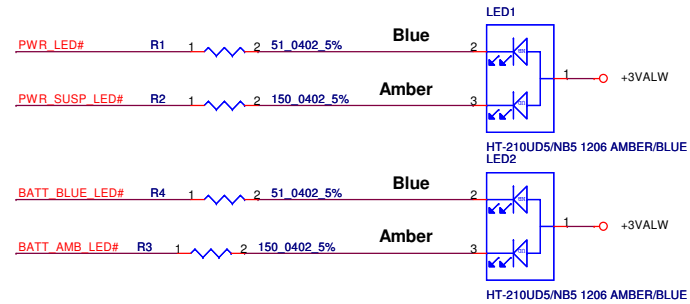


1110 Change JP1.11~13 from GND to NC
 0111 Add C1,C2 for RF



0104 Change LED1,LED2 footprint (follow NAV50)

POWER_LED

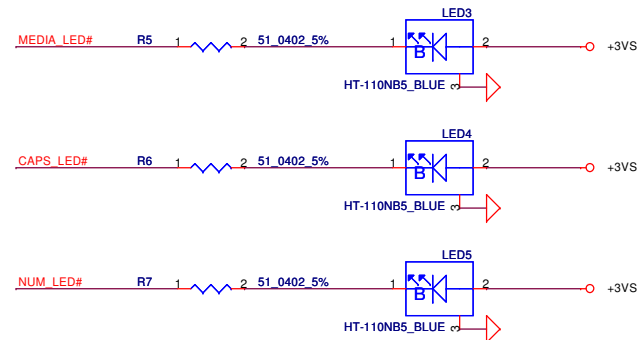


BATT_LED

MEDIA_LED

CAPS_LED

NUM_LED



Security Classification		Compal Secret Data		Title	
Issued Date	2009/10/20	Deciphered Date	2010/10/20	Compal Electronics, Inc.	
THIS SHEET OF ENGINEERING DRAWING IS THE PROPRIETARY PROPERTY OF COMPAL ELECTRONICS, INC. AND CONTAINS CONFIDENTIAL AND TRADE SECRET INFORMATION. THIS SHEET MAY NOT BE TRANSFERRED FROM THE CUSTODY OF THE COMPETENT DIVISION OF R&D DEPARTMENT EXCEPT AS AUTHORIZED BY COMPAL ELECTRONICS, INC. NEITHER THIS SHEET NOR THE INFORMATION IT CONTAINS MAY BE USED BY OR DISCLOSED TO ANY THIRD PARTY WITHOUT PRIOR WRITTEN CONSENT OF COMPAL ELECTRONICS, INC.				Size Custom	Document Number
				NAVE0 LS-6099P	
				Date:	Wednesday, February 10, 2010
				Sheet	1 of 1
				Rev	1.0